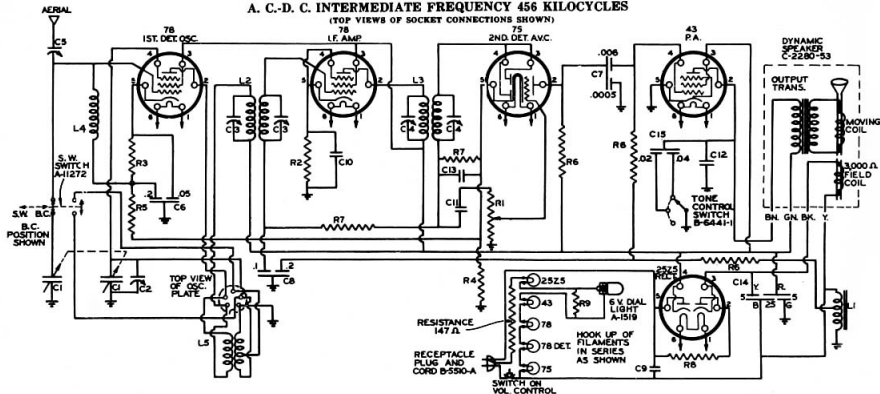


**SPARTON MODEL 506 506 594 SUPERHETERODYNE
SCHEMATIC DIAGRAM
A. C.-D. C. INTERMEDIATE FREQUENCY 456 KILOCYCLES**
(TOP VIEWS OF SOCKET CONNECTIONS SHOWN)



- C1 VARIABLE CONDENSER
- C2 ADJUSTABLE CONDENSER
- C3 NO. 1 I.F. TRIMMER
- C4 NO. 2 I.F. TRIMMER
- C5 ANTENNA TRIMMER
- C6 .05-2 MFD. 100 V.
- C7 .006-.0005 MFD. 400 V.

- B-5509
- C8 J-2 MFD. 100 V.
- C9 .025 MFD. 400 V.
- C10 1 MFD. 100 V.
- A-11474
- A-9553
- C11 .006 MFD. 400 V.
- C12 .01 MFD. 200 V.
- A-11499
- A-11092-7
- A-11092-2
- C13 .0005 MFD. MOLDED
- C14 5-25-5 MFD. ELECTROLYTIC
- C15 .04-.02 MFD. 200 V.

- A-11092-6
- A-11086-4
- A-11130-1
- A-11130-4
- A-11130-7
- A-9578
- A-11093-1
- A-9612-1
- R1 500,000 Ω VOL. CONTROL
- R2 400 Ω WIREWOUND
- R3 290 Ω WIREWOUND
- R4 100 Ω WIREWOUND
- R5 2,200 Ω WIREWOUND
- R6 300,000 Ω .25 W
- R7 500,000 Ω .25 W
- R8 50 Ω WIREWOUND
- R9 25 Ω WIREWOUND

- A-11480
- B-5243-30
- B-5243-36
- B-5243-37
- B-5243-13
- B-5737-3
- B-5737-5
- B-6061-1
- A-9647

- L1 TAPPED CHOKE
- L2 NO. 1 I.F. TRANSFORMER
- L3 NO. 2 I.F. TRANSFORMER
- L4 PRE SELECTOR COIL
- L5 OSCILLATOR COIL
- A-9566
- A-11476
- A-11477
- A-9601
- A-11504